

# RGQ26 series

## Compact Sound-proof Granulator

### 机器特点

#### The characters of the machine

- 结构设计严谨，采用全封闭式隔音，噪音低。
- 适用于粉碎多种塑料，包括薄膜、瓶类塑料等。
- 刀架剪刀原理设计，减轻马达负荷，高铬钢刀具，配合强悍的高转速马达，可轻松破碎各类塑料。
- 特有的风机自动送料装置，输送能力更强。
- 配备旋风除尘系统，有效分离粉尘。
- 可调式进料口，便于输送带送料。
- 电机设过荷保护与电源连锁保护装置，双重保护电机及人员的安全。
- 加装避震脚，有效吸收粉碎时产生的震动。
- Compact design, fully enclosed body, very low noise.
- Tool carrier adopts shear principle to decrease motor's load. High - Cr steel cutter together with strong high-speed motor as so to break various plastic object easily.
- Adjustable material inlet in order to feed by conveying belt easily.
- Shock - proof pad installed in order to absorb vibration while breaking.
- Overload protection device for motor and chain protection device for power source to double protect the safety of motor and workers.
- Equipped with cyclone dust - collector to separate dust efficiently.
- Special - designed blower conveying system with powerful conveying capacity.
- Suitable for breaking various plastic objects including film and bottles.



RGQ26 series of plastic granulator is used to crush all kinds of hard and soft plastics in block shape, ball shape or strip shape. They play an important role in recycling plastic defective goods and rejects and increase the utilization ratio of plastic material.

RGQ26系列粉碎机适用于破碎不同种类的软、硬塑胶，将块状、球状、条状以及水口料粉碎成颗粒，在塑胶行业中，对塑胶次品、废品的迅速加工回收起了重要作用，提高了塑料利用率。

## Specifications 规格表

参数Parameter		机型Model	RGQ-2630	RGQ-2640	RGQ-2650
规格Specifications					
电机功率 Power	kw		5.5	7.5	11
回转直径 Diameter of rotation	mm		260	260	260
转速 Rotating Speed	r/min		560	560	560
动刀 Rotating Blades		片	3	6	6
	-A	片	18	24	30
定刀 Fixed blades	片		2	2	2
筛网孔径 Screen Hole	mm		Ø10	Ø10	Ø10
粉碎室尺寸 Cutting Chamber	mm		260x300	260x400	260x500
粉碎能力 Output	kg/h		270-350	300-550	400-650
粉碎时噪音 Noise	dB(A)		80-85	80-85	80-85
进料口加磁铁 Magnetic Iron at Charging Inlet	-		○	○	○
粉尘分离系统 Dust Separator	-		●	●	●
重量 Weight	kg		380	530	710

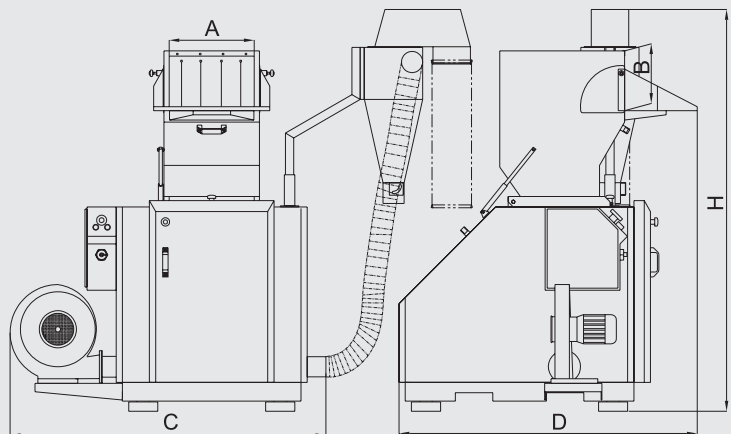
  

外形尺寸 External size		RGQ-2630	RGQ-2640	RGQ-2650
A		300	400	500
B		260	260	260
C		1420	1520	1620
D		1445	1445	1445
E		1935	1935	1935

产品规格若有变更,恕不另行通知。  
Please excuse for not note if some specifications of products are changed.

### 注Note:

- 1) "●"为标配,"○"为选购。  
"●"is standard allocation,"○"is selection purchase.
- 2) - A为爪刀型结构粉碎机。  
Staggered Blades(A),If without A,it means the paddle blades are used.
- 3)最大粉碎量取决于筛网孔径及粉碎材料等因素。  
The max. granulating quantity depend on the mesh hole diameter and material quality to be granulated.
- 4)机器电压规格为3Ø,220V/380V,50/60Hz。  
The machine voltage specification is 3Ø, 220V/380V,50/60Hz.The voltage can be changed as you require.



日宏机械制造有限公司

RHONG MACHINERY MANUFACTURING CO.,LTD.

www.rhong.com.cn

浙江. 宁波. 北仑. 小港街道. 东岗碶  
DongGangQi,Xiaogang Subdistrict, Beilun, Ningbo,  
Zhejiang Province, China

T +86 (0)574 86192528 +86 (0)574 86192530

F +86 (0)574 86192527

E - mail:rhong@rhong.com.cn

**RHONG**  
Plastics Technologies 