

RG-26N series

Powerful Plastic Granulator

机器特点

The characters of the machine

- 专利轴承座，防止粉尘进入轴承，延长机器使用期限。
- 一体式机体、坚固耐用，长期使用不因粉碎物质影响性能。
- 电机设过荷保护与电源连锁保护装置，双重保护电机及人员的安全。
- 特有的刀具结构，剪刀原理，高铬钢刀具，可轻松破碎各类塑料。
- 刀具间隙可调节，用钝后可重复拆下刃磨，经久耐用。
- 分离式设计: 料斗、主体、筛网架极易拆卸清料。
- 造型新颖，美观大方。
- 加装避震脚，降低震动噪音。
- 可选配专利自动送料装置，可节省人力资源，也减少原料的污染源，提高工作效率。
- The patent for bearing seat, in order to avoid the dust coming into the axletree, long time using life.
- Integral body, sturdy and durable, long time operation life, keep excellent performance after using long time.
- Overloading protector for motor and interlock device, double protection for the safety of personnel and motor.
- Special knife blade structure adopting shear principle, made of high contented chromium steel, shred the various plastic in an easy way.
- Knife gap adjustment is available, they can be resharpened numerous times, long time using life.
- Separable design, hopper, main body, mesh frame are dismounted easily, convenient for cleaning.
- Modern design, nice appearance.
- Equipped with shock-proof feet, reduce the noise of vibration.
- It is selection purchase for the patent of automatic conveying device, save man power, reduce to pollute the raw material, raise the working efficiency.



RG-26N



RG-26N-A

RG26-N series belongs to centralized granulator, and are used to crush centralized various waste material, such as soft and hard plastics in block shape, ball shape or strip shape. This kind of machine can save power source and reduce waste. The granulated material and original material can be mixed evenly by Plastic comb mixer so that they can be reused and increase the utilization ratio of plastic material.

RG-26N 系列为集中粉碎机，既将各种废料（包括：软、硬塑胶，将块状、球状、条状以及水口料等）集中一起处理，适用于废料量大的粉碎，有助于节省能源和减少材料的浪费。将粉碎后的颗粒料与新料通过混色机混合均匀后即可使用，提高原料的利用率。

Specifications 规格表

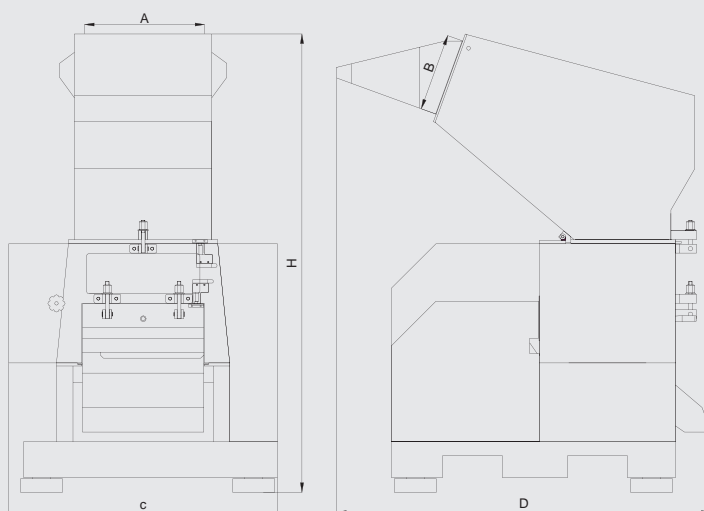
参数Parameter		机型Model	RG-2630N	RG-2640N	RG-2650N
规格Specifications					
减速电机功率	Power	Kw	5.5	7.5	11
回转直径	Diameter of rotation	mm	260	260	260
转速	Rotating speed	r/min	560	560	560
动刀	Rotating blades	片	3	6	6
		-A 片	18	24	30
定刀	Fixed blades	片	2	2	2
筛网孔径	Screen hole	mm	∅10	∅10	∅10
粉碎室尺寸	Cutting chamber	mm	260 x 300	260 x 400	260 x 500
粉碎能力	Output	kg/h	270 - 350	300 - 550	400 - 650
粉碎时噪音	Noise	dB(A)	80 - 95	80 - 95	80 - 95
进料口加磁铁	Magnetic iron at charging inlet	-	○	○	○
粉尘分离系统	Dust Separator	-	○	○	○
重量	Weight	Kg	420	550	3000

外形尺寸 External size	RG-2630N	RG-2640N	RG-2650N
A	300	400	500
B	260	260	260
C	820	920	1020
D	1260	1260	1260
H	1540	1540	1540

产品规格若有变更,恕不另行通知。
Please excuse for not note if some specifications of products are changed.

注Note:

- 1) -A 为爪刀型结构粉碎机, "○" 为选购件。
"-A" is staggered blades, "○" is selection purchase.
- 2) 最大粉碎量取决于筛网孔径及粉碎材料等因素。
The max. Granulating quantity depend on the mesh hole diameter and material quality to be granulated.
- 3) 机器电压规格为3∅, 380V, 50Hz。
The machine voltage specification is 3∅, 380V, 50Hz.
The voltage can be changed as you require.



日宏机械制造有限公司

RHONG MACHINERY MANUFACTURING CO.,LTD.

www.rhong.com.cn

浙江. 宁波. 北仑. 小港街道. 东岗碶

Donggangqixiaogang Subdistrict, Beilun, Ningbo,

Zhejiang Province, China.

T +86 (0)574 86190928 86192528 86192530

F +86 (0)574 86192527

E-mail rhong@rhong.com.cn

RHONG
Plastics Technologies

