

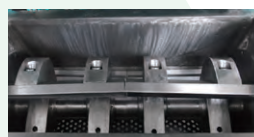
# RG-36U series

## Powerful Plastic Granulator

### 机器特点

#### The characters of the machine

- 外置轴承座，防止粉尘进入轴承，延长机器使用期限。
- 分体式机体，进料斗和网架有液压式开启装置，清理，维护方便。
- 螺杆式送料装置，可节省人力资源，也减少原料的污染源，提高工作效率。
- 电机设过荷保护与电源连锁保护装置，双重保护电机及人员的安全。
- 特有的刀具结构，剪刀原理，高铬钢刀具，可轻松破碎各类塑料。
- 刀具间隙可调节，用钝后可重复拆下刃磨，经久耐用。
- 造型新颖，美观大方。
- 加装避震脚，降低震动噪音。
- 可以选配粉碎室加水粉碎功能。
- Outside bearing seat design, in order to avoid the dust entering into the bearing, long time using life.
- Separation design for machine body, hoisting up and down hydraulic device for feed hopper and screen box, convenient for cleaning and maintenance.
- Screw driven feeding device, save the man power, reduce to pollute raw material, raise the Working efficiency.
- Overloading protector for motor and interlock device, double protection for the safety of personnel and motor.
- Special knife blade structure adopting shear principle, made of high contented chromium steel, shred the various plastic in an easy way.
- Knife gap adjustment is available, they can be resharpened numerous times, long time using life.
- Modern design, nice appearance.
- Equipped with shock-proof feet, reduce the noise of vibration.
- It is optional purchase for the function of water flooding into cutting chamber.



RG-36U



RG-36U-A

RG-36U series belongs to centralized granulator, and are used to crush centralized various waste material, such as soft and hard plastics in block shape, ball shape or strip shape. This kind of machine can save power source and reduce waste. The granulated material and original material can be mixed evenly by Plastic color mixer so that they can be reused and increase the utilization ratio of plastic material.

RG-36U系列为集中粉碎机，既将各种废料(包括：软、硬塑胶，将块状、球状、条状以及水口料等)集中一起处理，适用于废料量大的粉碎，有助于节省能源和减少材料的浪费。将粉碎后的颗粒料与新料通过混色机混合均匀后即可使用，提高原料的利用率。

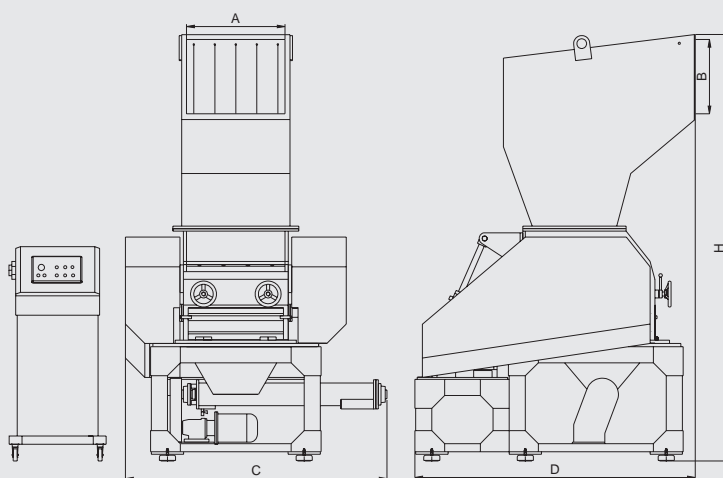
## Specifications 规格表

参数Parameter		机型Model	RG-3660U	RG-3670U	RG-3680U
规格Specifications					
减速电机功率	Power	Kw	15	18.5	22
回转直径	Diameter of rotation	mm	360	360	360
转速	Rotating speed	r/min	570	570	570
动刀	Rotating blades	片	6	6	6
		- A	30	36	42
定刀	Fixed blades	片	4	4	4
筛网孔径	Screen hole	mm	∅12	∅12	∅12
粉碎室尺寸	Cutting chamber	mm	460 x 600	460 x 700	460 x 800
粉碎能力	Output	kg/h	400 - 700	500 - 800	600 - 900
粉碎时噪音	Noise	dB(A)	80 - 95	80 - 95	80 - 95
液压开启装置	Hydraulic device	-	●	●	●
进料口加磁铁	Magnetic Iron at charging inlet	-	○	○	○
粉尘分离系统	Dust Separator	-	○	○	○
粉碎室加水	Water flooding into cutting chamber	-	○	○	○
重量	Weight	Kg	2000	2500	3000

外形尺寸 External size	RG-3660U	RG-3670U	RG-3680U
A	600	700	800
B	460	460	460
C	1625	1725	1825
D	1740	1740	1740
H	2640	2640	2640

### 注Note:

- A为爪刀型结构粉碎机, "●"为标配, "○"为选购。  
"- A" is staggered blades, "●" is standard allocation, "○" is selection purchase.
- 最大粉碎量取决于筛网孔径及粉碎材料等因素。  
The max. Granulating quantity depend on the mesh hole diameter and material quality to be granulated.
- 机器电压规格为3∅, 380V, 50Hz。  
The machine voltage specification is 3∅, 380V, 50Hz.  
The voltage can be changed as you require.



日宏机械制造有限公司

RHONG MACHINERY MANUFACTURING CO.,LTD.

www.rhong.com.cn

浙江. 宁波. 北仑. 小港街道. 东岗碶

DongGangQi,Xiaogang Subdistrict, Beilun, Ningbo, Zhejiang Province, China.

T 86 (0)574 86190928 86192528 86192530

F +86 (0)574 86192527

E - mail rhong@rhong.com.cn

**RHONG**  
Plastics Technologies

