

RSM series

Plastic Color Mixer

机器特点

The characters of the machine

- 螺旋叶焊接后整体加工，同心度高，运行平稳。
- 螺旋循环搅拌使得原料混合更加均匀、快速。
- 设备与原料所接触部分的材料皆为不锈钢制作，清洗容易，避免锈。
- 马力小，混合量大，速度快，密封式搅拌，混料均匀，绝无漏料。
- 电机设过荷保护与电源连锁保护装置，双重保护电机及人员的安全。
- 机架底部设计油脂加注装置及排料装置，轴承耐用。(适用于 RSM500/1000)
- 自动停止装置，可自由设定所需时间，方便耐用。
- 出料口配手动关料板，下料方便。
- 配有高度调节伸缩支架，万向脚轮及刹车，便于调节与移动。(适用于 RSM80/160/260)
- 外形美观大方，易拆式设计，便于维修。
- Spiral leaf need to be welded before processing in order to shaft concentricity and run smoothly.
- Materials in the tank can be round stirred like swirl to decrease mixing time.
- The surface of machine made of stainless steel where will be contact the equipment and raw material in order to clean easily, and avoid rustiness.
- Low power, large mixing capacity, sealed mixing, mixed evenly in short time, no leakage.
- Overload protection device for motor and chain protection device for power source to double protect the safety of motor and workers.
- Equip with oil refueling device and dust-proof plate under the frame in order to durable bearing. (Apply to RSM-500/100)
- Auto-stop device, the setting range for auto-stop is up to you, easy and durable
- Equip with hand-operated cut-off plate for discharge port, convenient for discharging.
- Height adjusting expansion support frame, universal caster and brake, easy for adjusting and moving. (Apply to RSM-80/160/260)
- Nice appearance, easy-dismounted design, convenient for maintenance.



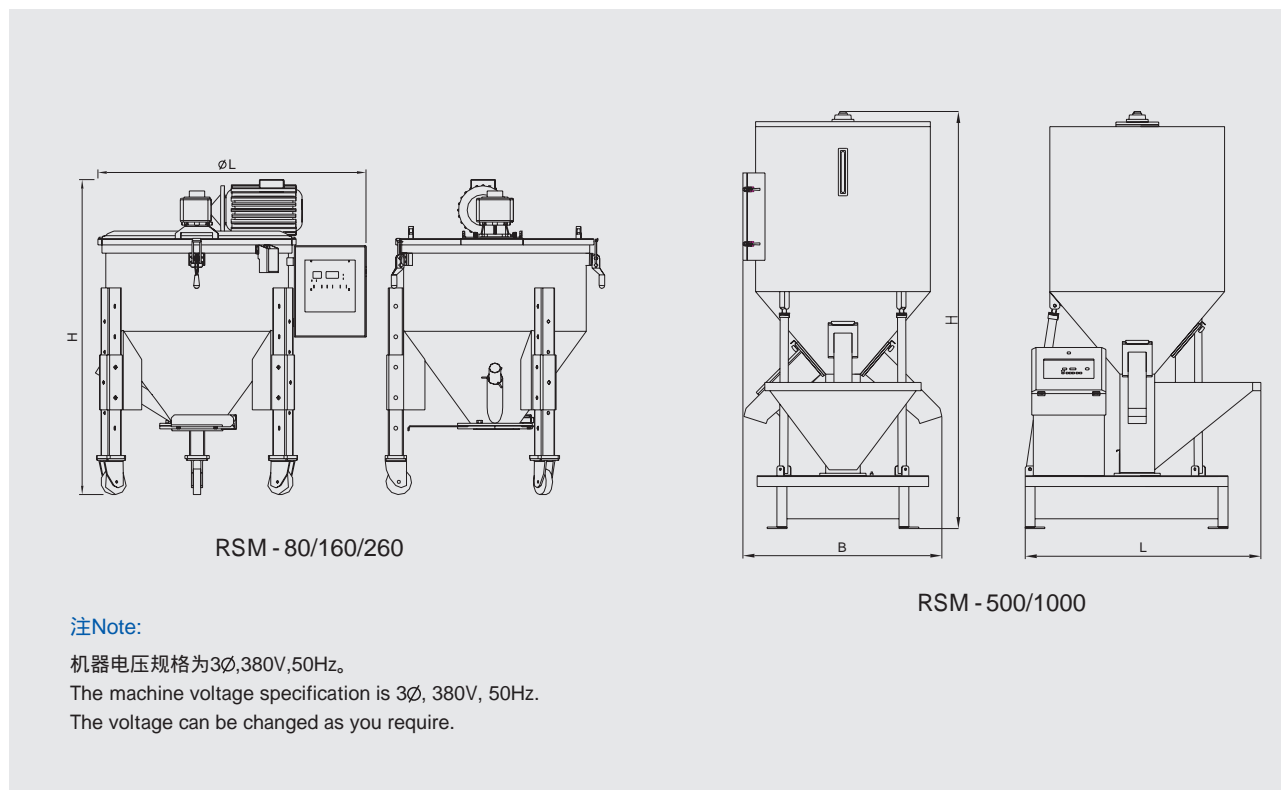
RSM series Rotation Mixer suitable for powder, granule, solid plastic material and color masterbatch mixing. This series is a kind of large plastic color mixer. It is better than the traditional plastic color mixer in some defects. And also, it is characterized of large mixing capacity, low energy consumption and high efficiency. It is widely used for plastic extrusion, injection processing.

RSM系列螺旋式混料机适用于各种粒状固态塑料原料及色母之搅拌及混色，本机是塑料混合大型设备，它克服了传统混料机各种混合缺陷与弊端，它具有容量大,能耗少,加工效率高等优点,是塑料挤出、注射加工生产中理想的辅助设备。

Specifications 规格表

机型 Model	功率(kw) Power	混合量(Kg/min) Mixing capacity	外型尺寸 (mm) (BXLXH & ØLXH) External Size	重量 (Kg) Weight
RSM-80	0.37	50/5	Ø700X1500	55
RSM-160	0.55	100/5	Ø850X1600	90
RSM-260	0.75	150/5	Ø950X1750	120
RSM-500	2.2	500/10	1200X1500X2530	350
RSM-1000	4	1000/10	1400X1650X3000	550

产品规格若有变更,恕不另行通知。
Please excuse for not note if some specifications of products are changed.



日宏机械制造有限公司

RHONG MACHINERY MANUFACTURING CO.,LTD.

www.rhong.com.cn

浙江. 宁波. 北仑. 小港街道. 东岗碶

DongGangQi,Xiaogang Subdistrict, Beilun, Ningbo,
Zhejiang Province, China.

T 86 (0)574 86190928 86192528 86192530

F +86 (0)574 86192527

E - mail rhong@rhong.com.cn

RHONG
Plastics Technologies

