

RAL series

Vocum Auto-load Device

机器特点

The characters of the machine

- 主机与料桶采用分离式设计，安全简便。
- 不锈钢储料桶，轻便耐用好清料。
- 马达配有超载保护装置。
- 微电脑控制运转，操作简单。
- 独立滤清器装置，方便清除积尘。
- 静音装置，减低运转噪音。
- 缺料自动蜂鸣报警保护装置。

- The separable design of main machine with charge basket, safe and convenient.
- Stainless steel charge basket, light, durable, easy for material clean.
- The overload device on motor.
- Computer control operation, simple and easy for operation.
- Independent filter cleaner, convenient for accumulated dust cleaning.
- Quiet device, reduce the operation noise.
- The material shortage auto-alarming protection device.



RAL series Vocum Auto-load Device

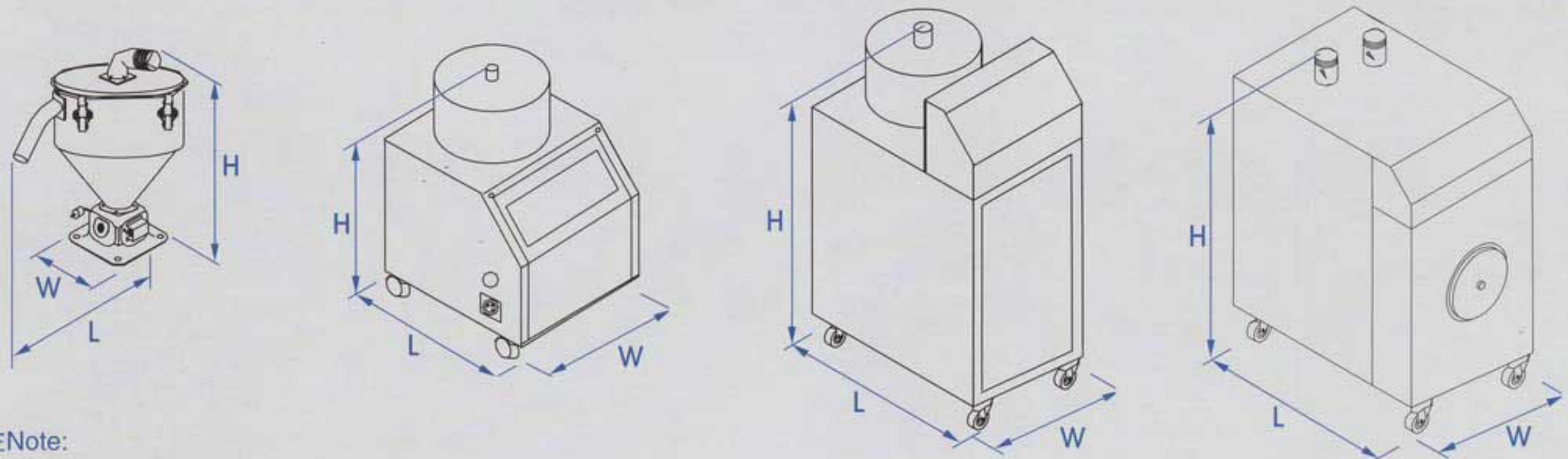
RAL series auto-charging machine uses stainless steel charge basket and high-efficiency vocum motor and motor overload protection device and material shortage auto-alarming device, it has the characters of light and durable, strong suck force, simple and easy for installation, and operation.

RAL系列自动填料机均采用不锈钢料斗，高效率真空马达，并装有马达过载保护装置及缺料自动报警器，兼具轻便耐用、吸力强、安装简便、操作容易等特性。

Specifications 规格表

型号 Model	马达Motor		输送能力 Conveying Capacity (kg/hr)	料斗量 Capacity of charge basket (L)	输料管内径 Inside diameter of conveying(mm)	外型尺寸External size(mm)		重量Weight (KG)	
	型式 Type	规格 Specification				主体Main body H x L x W	料斗hopper H x L x W	主体 Main body	料斗 Hopper
RAL-300I	碳刷式 Carbon Brush	1000w 1Ø	300	6	Ø38	550x400x350	550x400x350	12	12
RAL-403I	感应式 Induction	1HP 3Ø	400	10	Ø38	800x450x450	800x450x450	25	25
RAL-300	碳刷式 Carbon Brush	1200w 1Ø	300	6	Ø38	550x450x300	450x350x250	20	5
RAL-303	感应式 Induction	1HP 3Ø	300	6	Ø38	650x450x400	450x350x250	45	5
RAL-503	感应式 Induction	2HP 3Ø	550	12	Ø38	650x450x400	500x450x300	55	8
RAL-703	感应式 Induction	3.5HP 3Ø	750	30	Ø51	1400x500x500	800x450x300	75	15
RAL-903	感应式 Induction	5HP 3Ø	900	30	Ø51	1400x500x500	800x450x300	80	15
RAL-323	感应式 Induction	1HP 3Ø	300	6x6	Ø38	750x450x400	450x400x250	45	5
RAL-523	感应式 Induction	2HP 3Ø	550	12x12	Ø38	750x450x400	500x450x300	55	8

产品规格若有变更，恕不另行通知。
Please excuse for not note if some specifications of products are changed.



注Note:

- 1) I类机型不可带P，2类机型已含E。
I category machine can not attach P, 2 category have included E.
- 2) 输送能力测试条件为：高度4m，距离1m。
The Test Condition Of Conveying Capacity : Height 4 Meters, Distance 1 Meter.
- 3) 机器电压规格除RAL-300(E)为1Ø 220V 50Hz外，其余机器规格3Ø 380V 50Hz。
All Other Specifications Of Machines Are 3Ø 380v 50hz ,except The Specification Of Ral-300(E) Is 1Ø 220v 50hz.The voltage can be changed as you require.

日宏机械制造有限公司

RHONG MACHINERY MANUFACTURING CO.,LTD.
www.rhong.com.cn

浙江·宁波·北仑·小港街道·东岗碶
DongGangQi,Xiaogang Subdistrict, Beilun, Ningbo,
Zhejiang Province, China
T +86 (0)574 86192528 +86 (0)574 86192530
F +86 (0)574 86192527
E-mail:rhong@rhong.com.cn

RHONG R
Plastics Technologies